

caroma® TASMAN II – WASHING MACHINE SET



PLUMBERS INSTALLATION INSTRUCTIONS

Important Information

- * All pipework must be thoroughly flushed prior to installation.
- * Turn off hot and cold water supplies before installation.

Installation

- 1) Check that threaded nipple (2) is the correct length, as shown. Cut to length if required ensuring end face is square. Apply thread tape to the thread.
- 2) Place the cover plate (1) over the threaded nipple (2). Screw the tap body (3) onto the threaded nipple (2) and position as required. DO NOT OVERTIGHTEN.
- 3) Fit handle assembly as follows:–
 - i) Turn both spindles to the fully off position.
 - ii) Fit handle (5) directly onto spindle (4).
 - iii) Fit handle button (6) to spindle (4) and tighten firmly against handle (5), using spanner (7) provided.

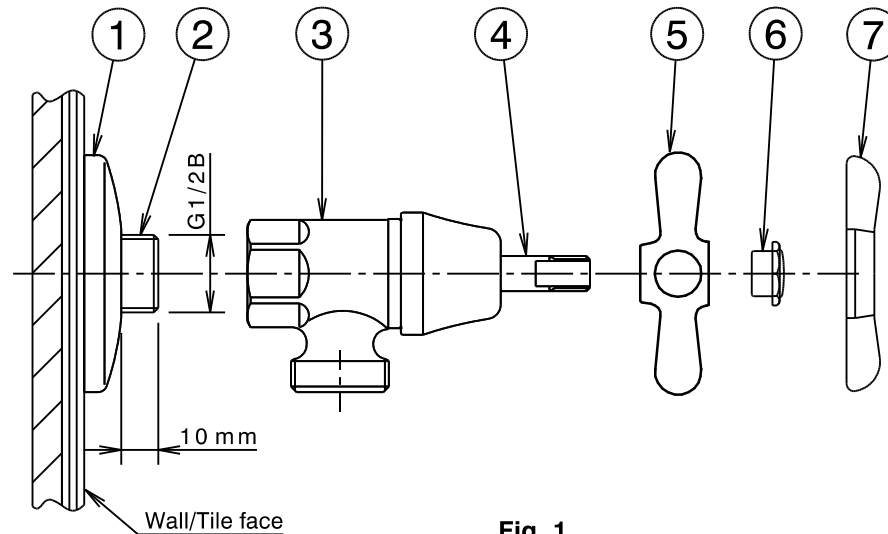


Fig. 1

IMPORTANT

Pressure & Temperature Requirements.

- Hot and cold water inlet pressures should be equal.
- Inlet pressure range : 150 – 1000 kPa
New Regulation : – 500 kPa maximum operating pressure at any outlet within a building.
(Ref. AS/NZS 3500.1 – 2003, Clause 3.3.4)
- Maximum hot water temperature : 80°C.

